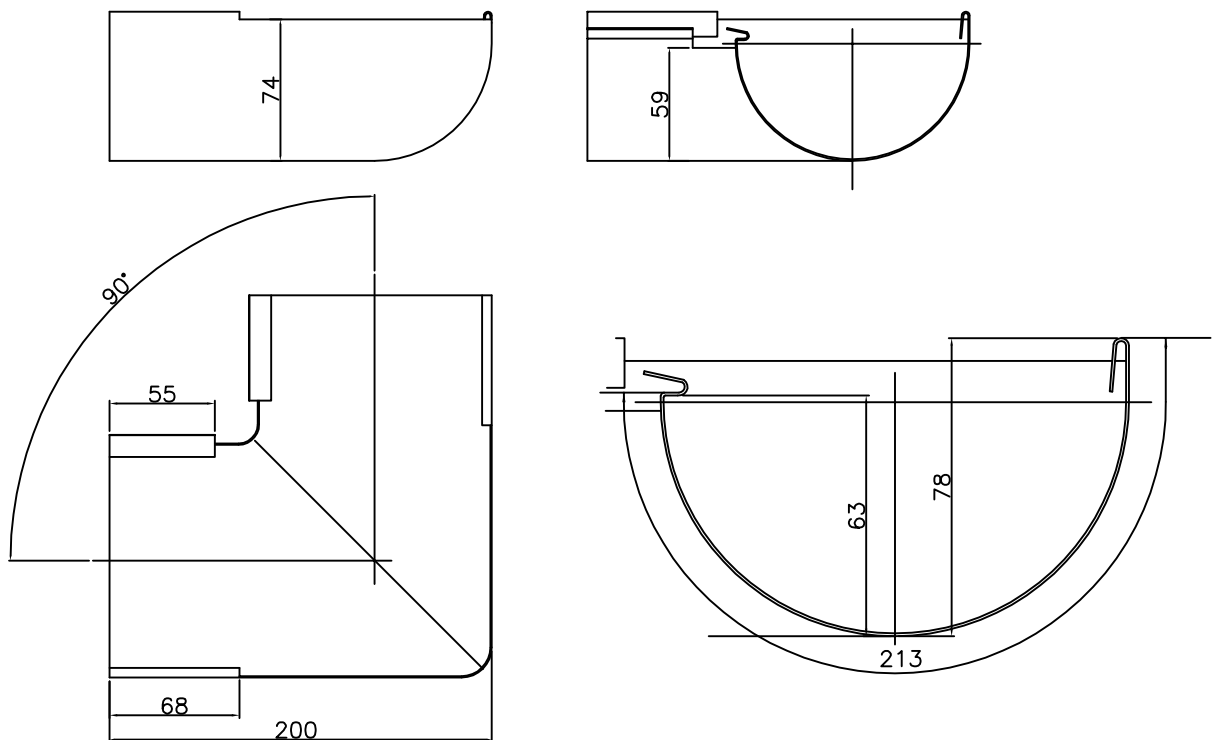


# Kundetegning



**NOTE:**

Materiale	Varenr.	TUN-nr.
Galv.stål	5935001	5619025
Titanzink	6019001	5725672
Aluzink	5035001	1425249

# Plastmo®

ACO Nordic A/S  
 Odinsvej 9, 4100 Ringsted, Denmark  
 Phone (+45) 57 66 66 66  
 Fax (+45) 57 66 66 67

Cad no.: 10422\_K  
 Date: 2001.09.18  
 Correction:1)2010.11.05  
 Prod. Respons:

Title: Kundetegning  
 Gering nr. 11 90° indv.

Item no.:  
 Se note

Scale:  
 -

Material: Se note  
 Area: mm<sup>2</sup>  
 Weight: g/m

Job: Render  
 Document. no.: 04.00.01

Drawn by:  
 PGU

Sale. Respons:

Tool. Respons:

Cont. Respons: