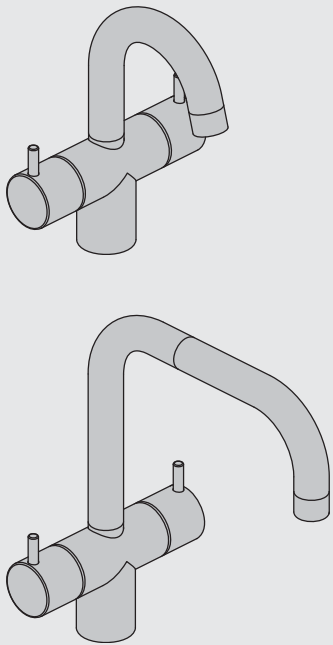


VOLA HV6, HV7
VOLA KV6, KV7

Fitting instruction
Montageanleitung
Monteringsvejledning
Monteringsvægledning
Montage hanleiding
Manuel de montage

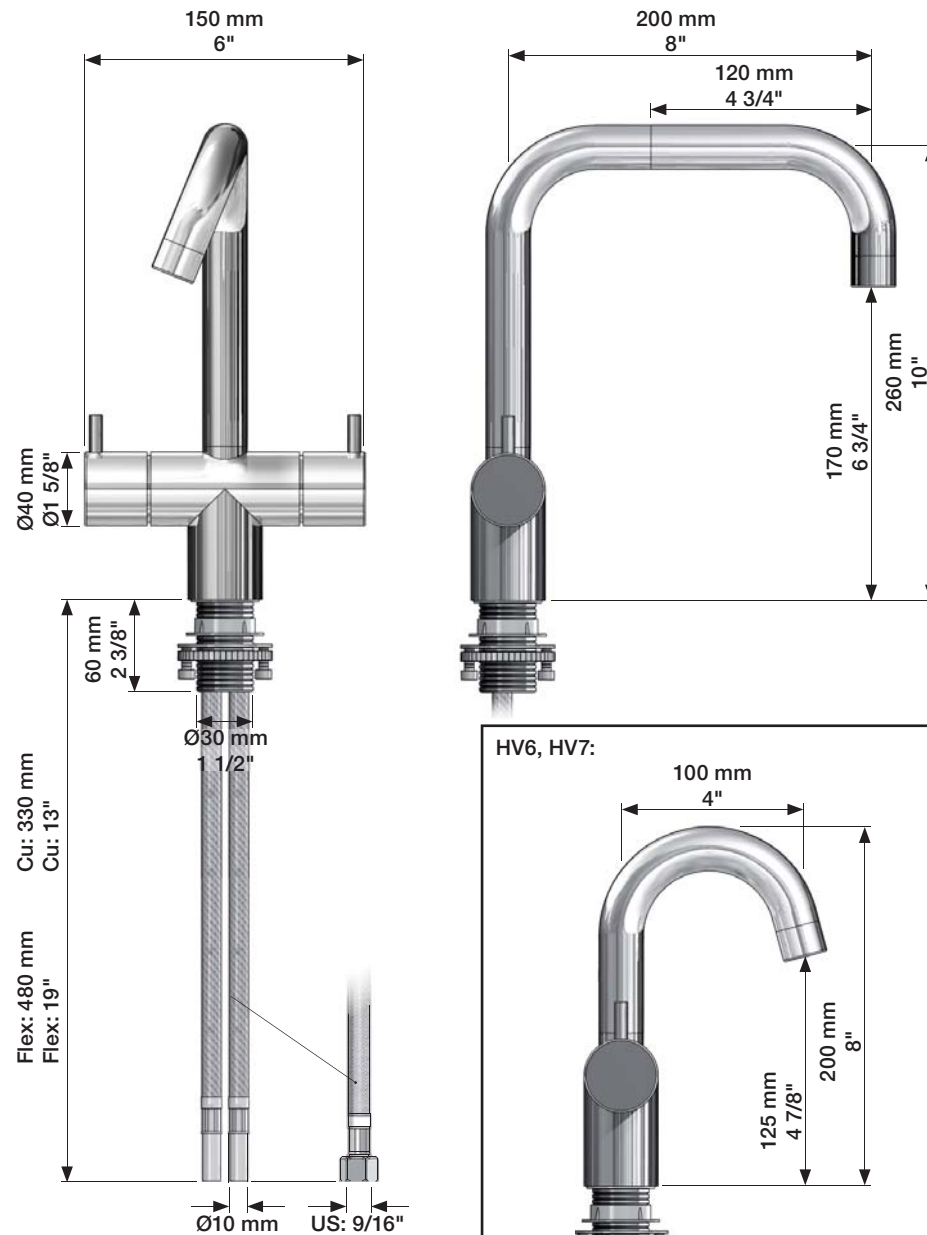


VA 1.42/19825, VA 1.42/19826

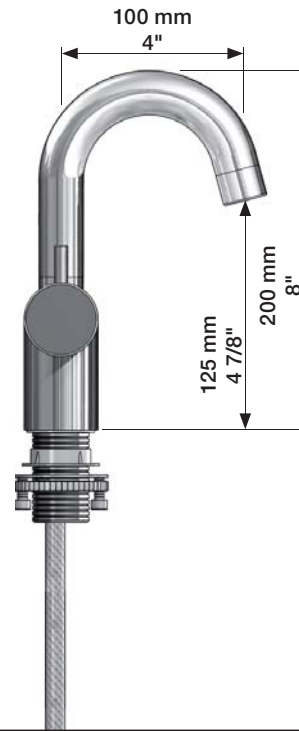
www.vola.com



KV6, KV7:



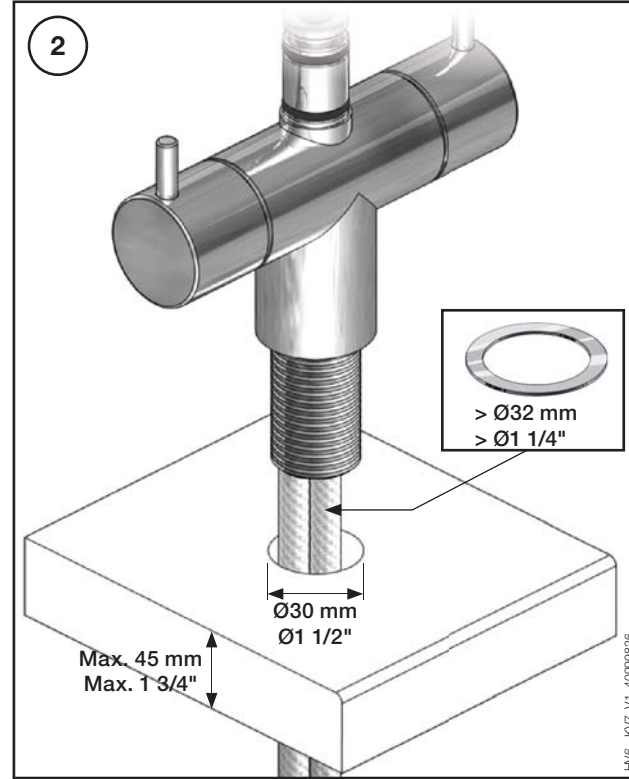
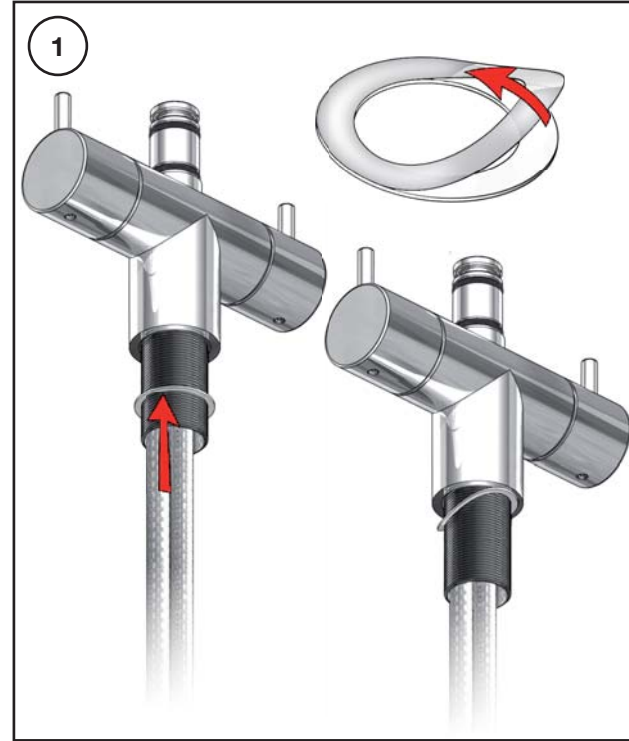
HV6, HV7:



Data, 3 Bar (Min. 0,5 - Max. 8 Bar):

Max.	l/min.	Gal/min.
HV6/7:	9,0	2,0
KV6/7	9,0	2,0

Max. 70°C, 158°F



HV6 - KV7_V1_40999826

