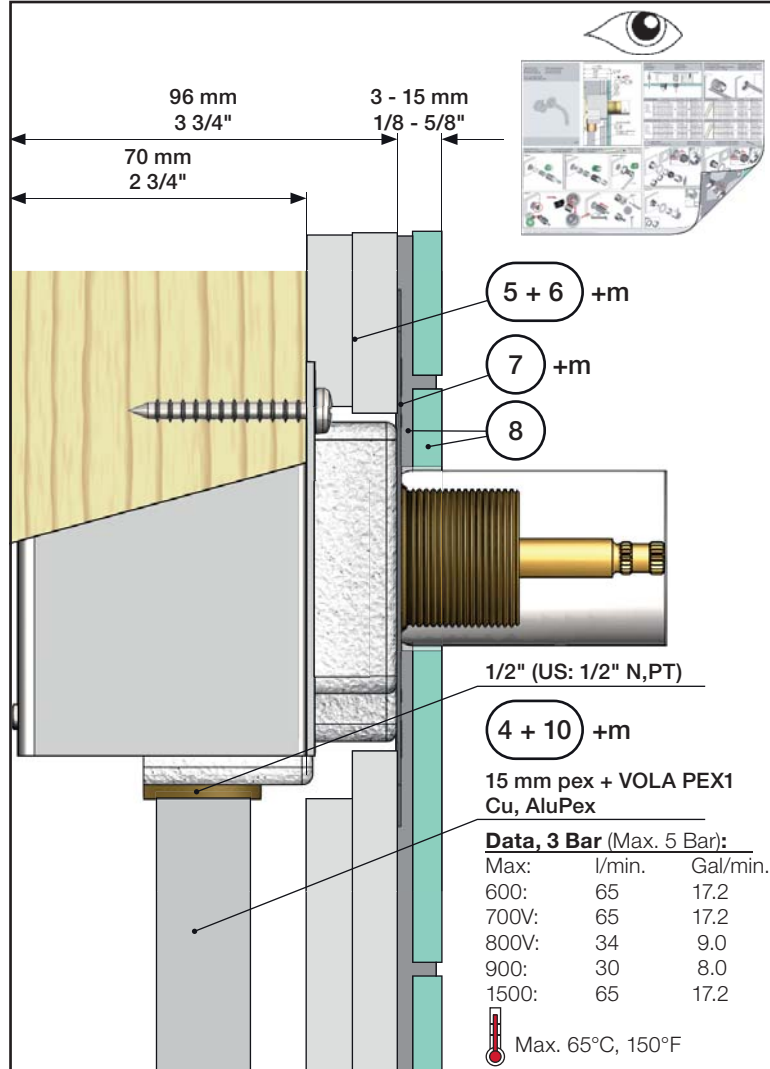
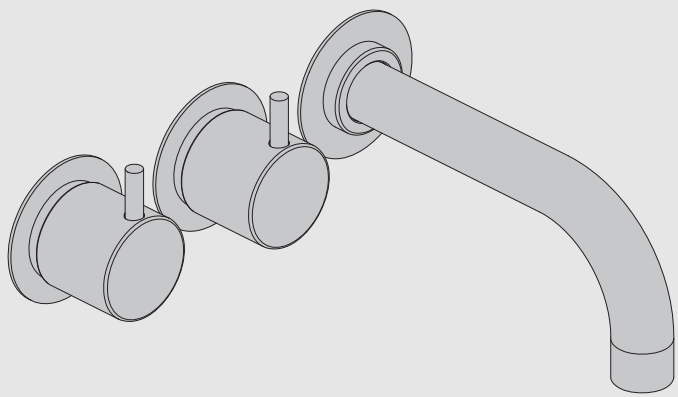


VOLA 600, 700, 700V, 900, 1500  
 VOLA 800, 800V, 800N, 800NV, 800T, 800TV  
 VOLA S20V, S40V

Fitting instruction  
 Montageanleitung  
 Monteringsvejledning

Monteringsvægledning  
 Montage hanleiding  
 Manuel de montage



Extension  
Verlängerung  
Forlængerdele

Förlängning  
Verlengstücken  
Modification

70 mm  
2 3/4"

Max. 26 mm  
Max. 1"

Max. 26 mm  
Max. 1"

VR697

VR698

600, 700V, 800V: 2xVR697  
 1500: 1xVR697+1xVR698  
 900: 1xVR697

	VR697:	VR1400:	VR2019:
Tiles:	3 - 15 mm Standard	Standard	Standard
Fliesen:	15 - 25 mm VR697+10	VR1400+10	VR2019+10
Fliser:	25 - 35 mm VR697+20	VR1400+20	VR2019+20
Fliser:	35 - 45 mm VR697+30	VR1400+30	VR2019+30
Tegels:	45 - 55 mm VR697+40	VR1400+40	VR2019+40
Carreaux:	55 - 65 mm VR697+50	VR1400+50	VR2019+50

Extension, retrofit  
Verlängerung, nachträglicher Einbau  
Forlængerdele, eftermontering

Förlängning, eftermontering  
Aanpassing na montage  
Modification après installation

52 - 0 mm

-15 - 0 mm

	VR697:	VR1400:	VR2019:
	39 - 54 mm Standard	Standard	Standard
	29 - 39 mm VR697+10	VR1400+10	VR2019+10
	19 - 29 mm VR697+20	VR1400+20	VR2019+20
	9 - 19 mm VR697+30	VR1400+30	VR2019+30
	9 - (-1) mm VR697+40	VR1400+40	VR2019+40
	-1 - (-11) mm VR697+50	VR1400+50	VR2019+50

VA 1.42/19069, VA 1.42/19822, VA 1.42/19823,  
 VA 1.42/19827, VA 1.42/19828

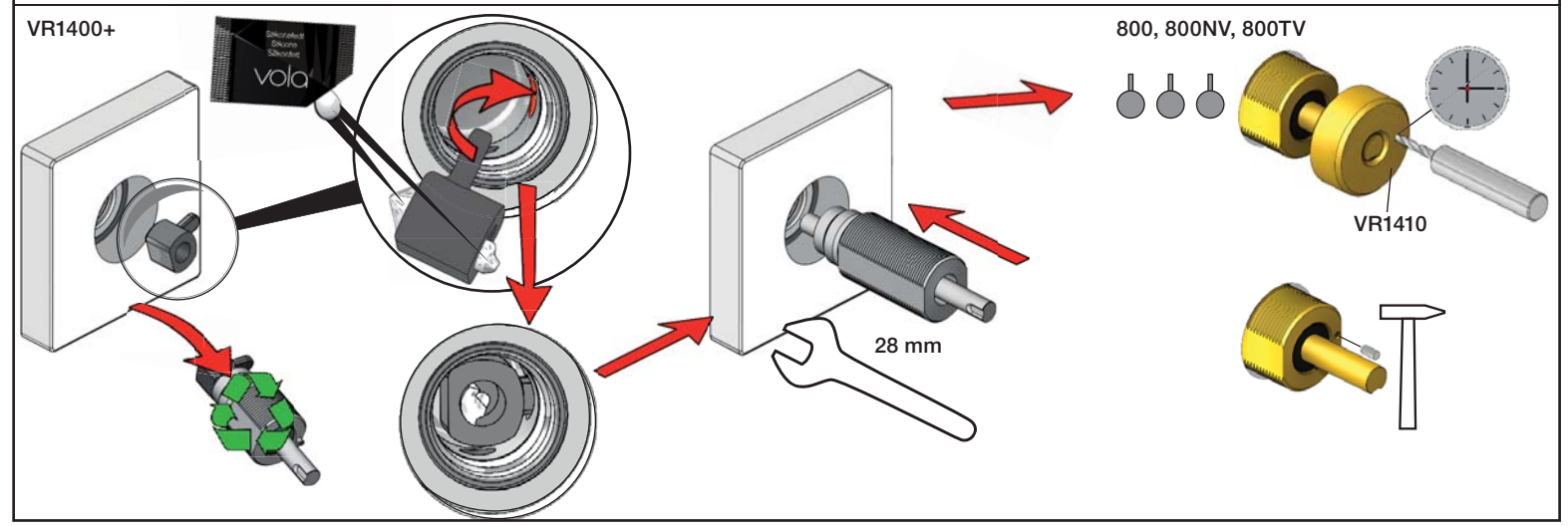
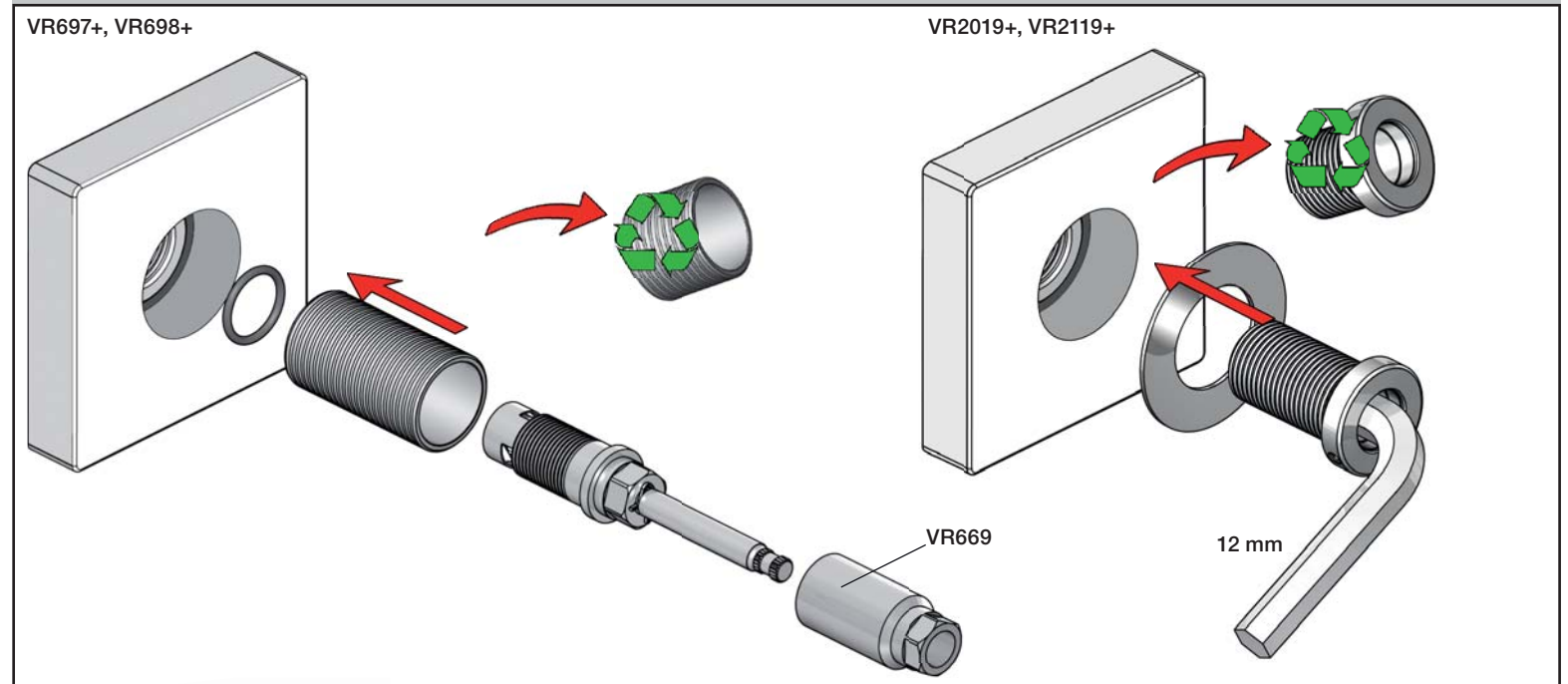
www.vola.com

vola

Fitting of extension  
Montage von verlängerung

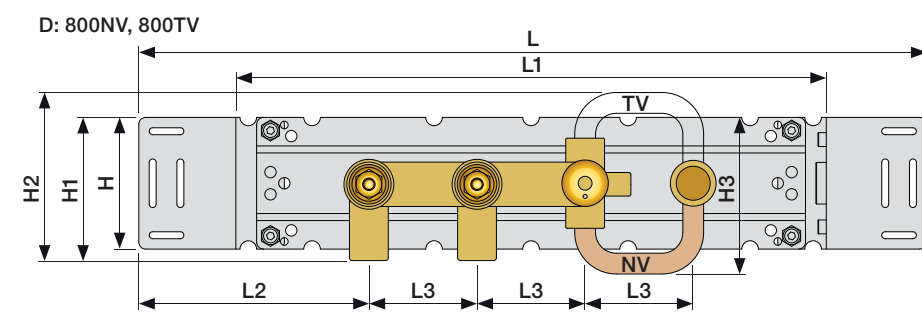
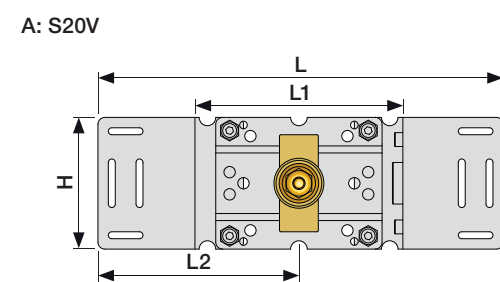
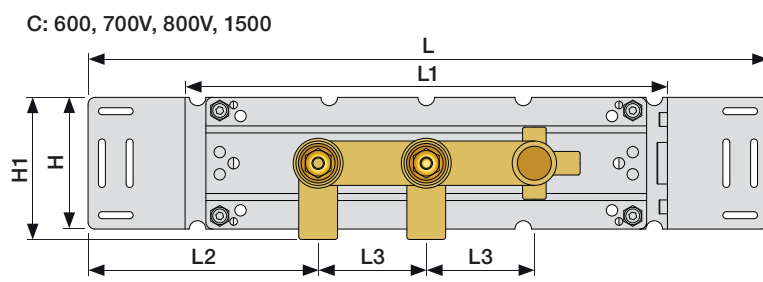
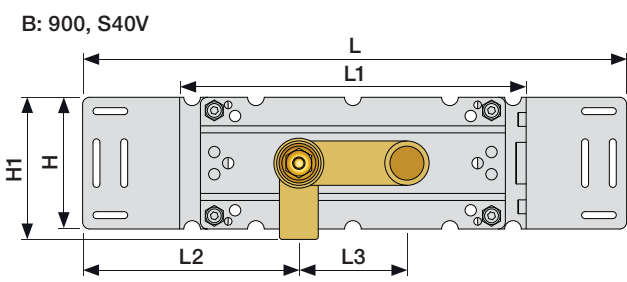
Montering af forlængerdele  
Montering av förlängning

Montage van de verlengstukken  
Montage des rallonges



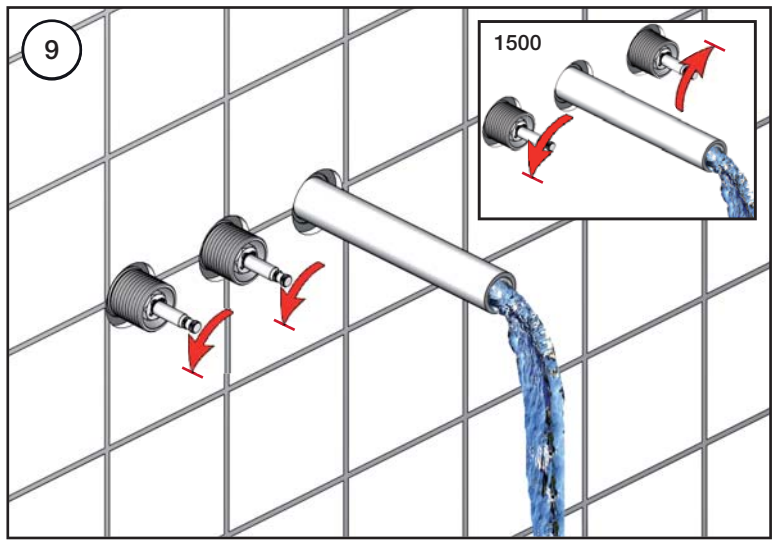
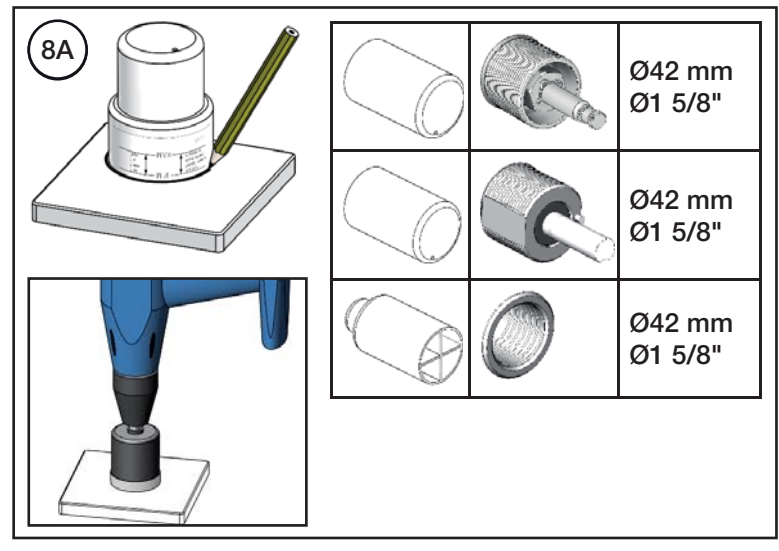
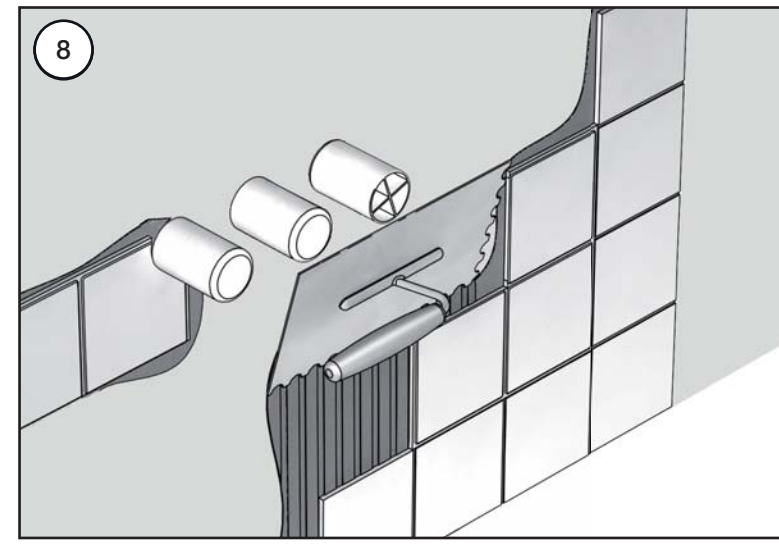
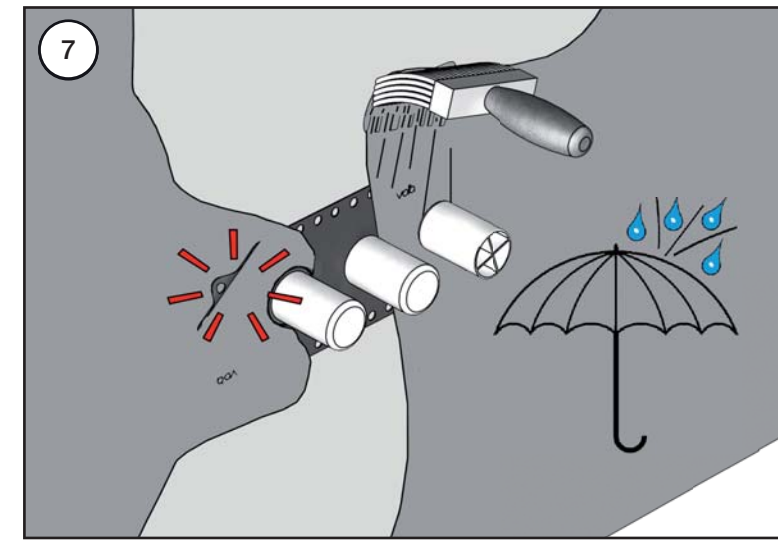
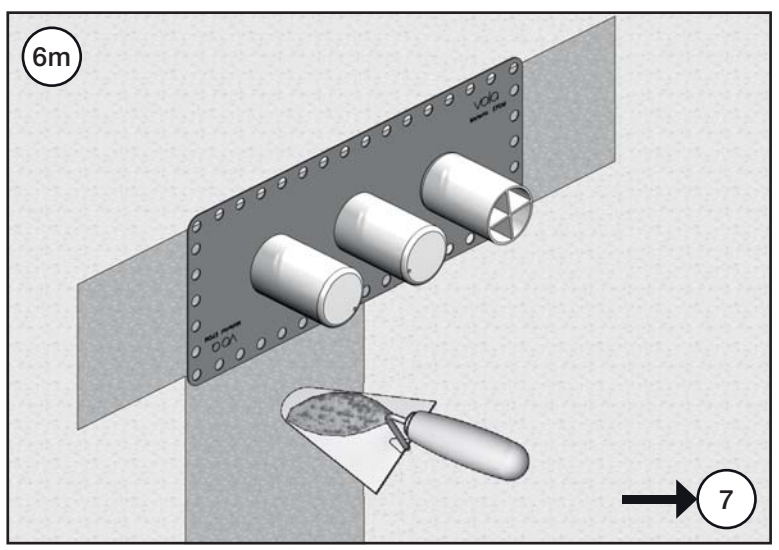
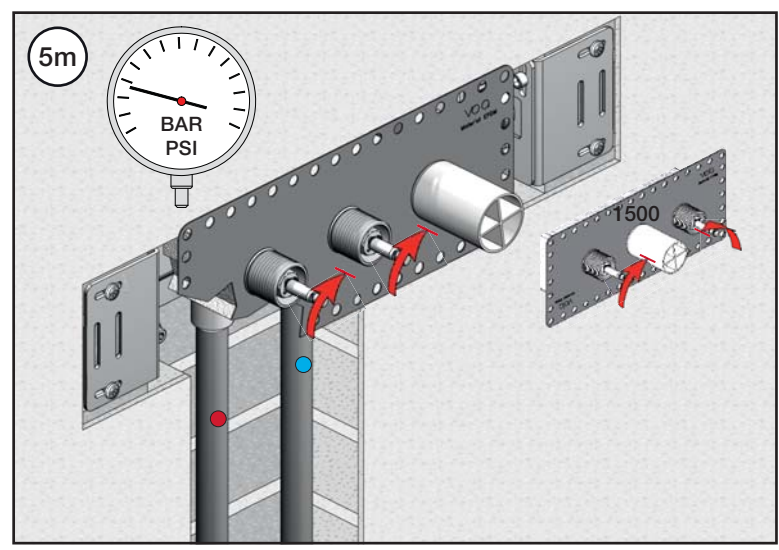
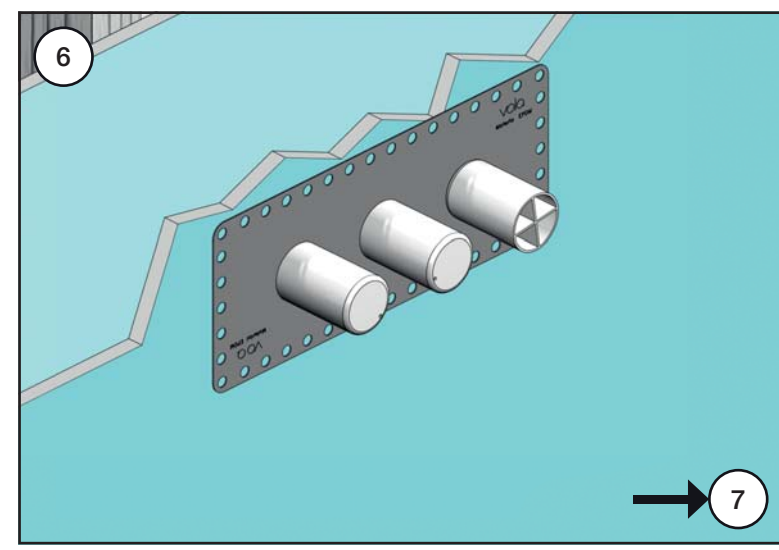
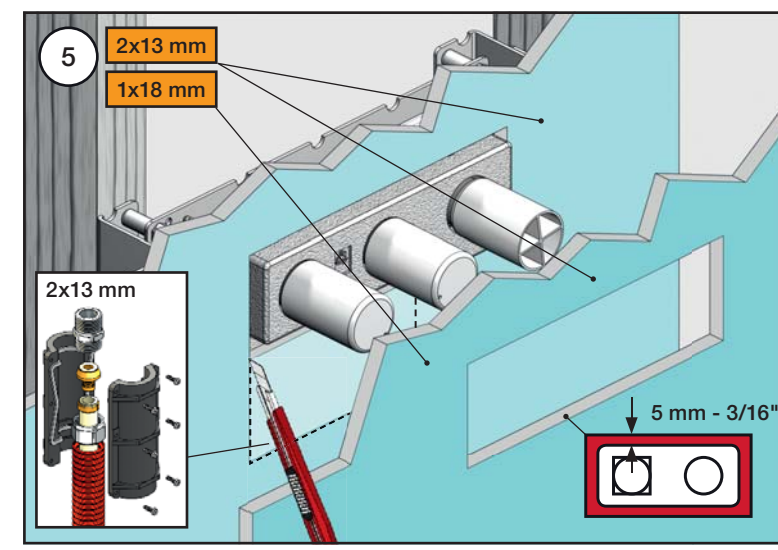
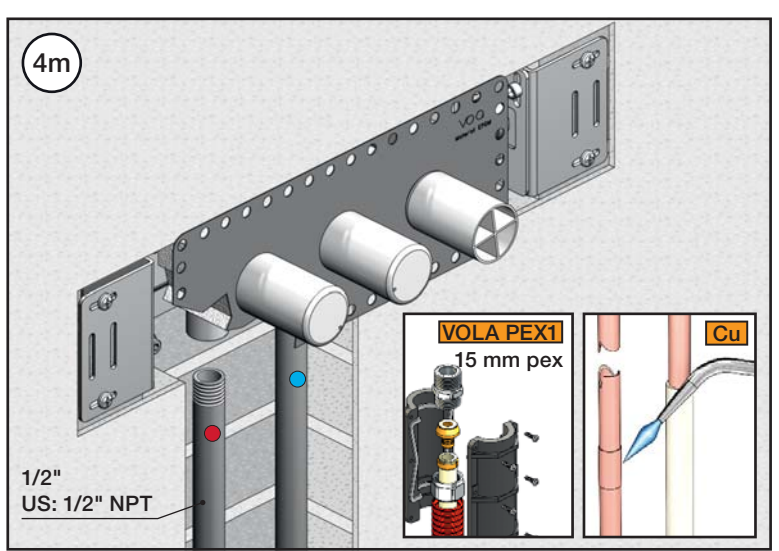
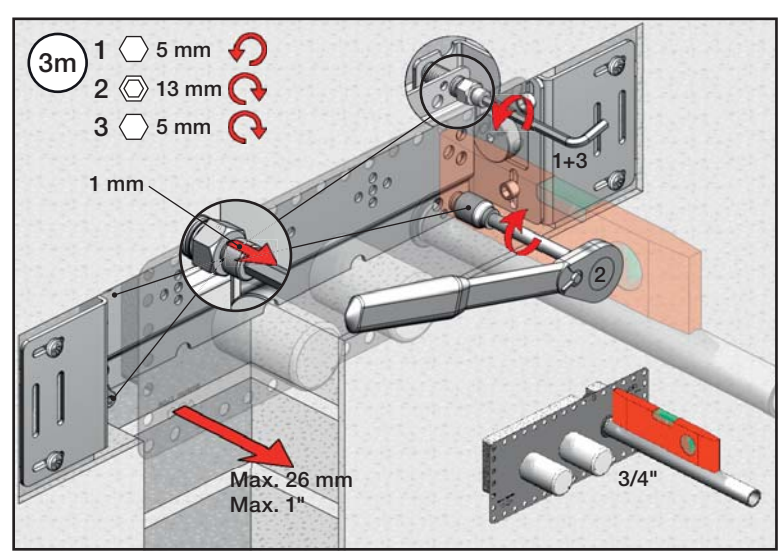
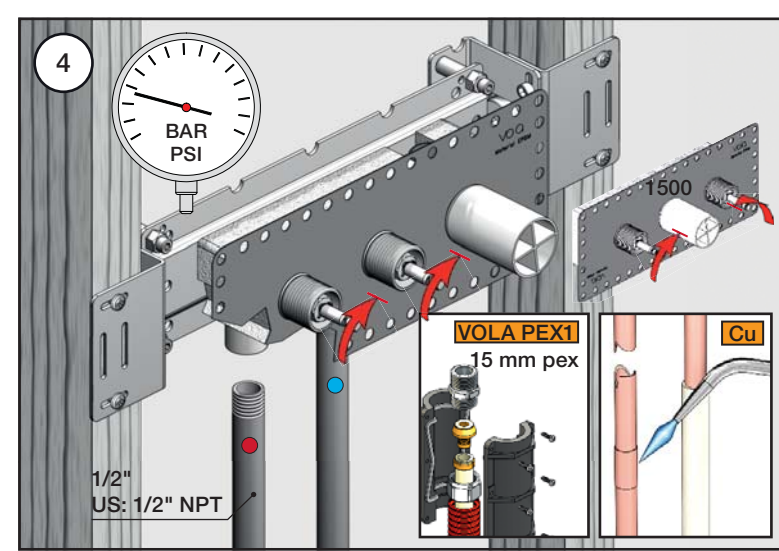
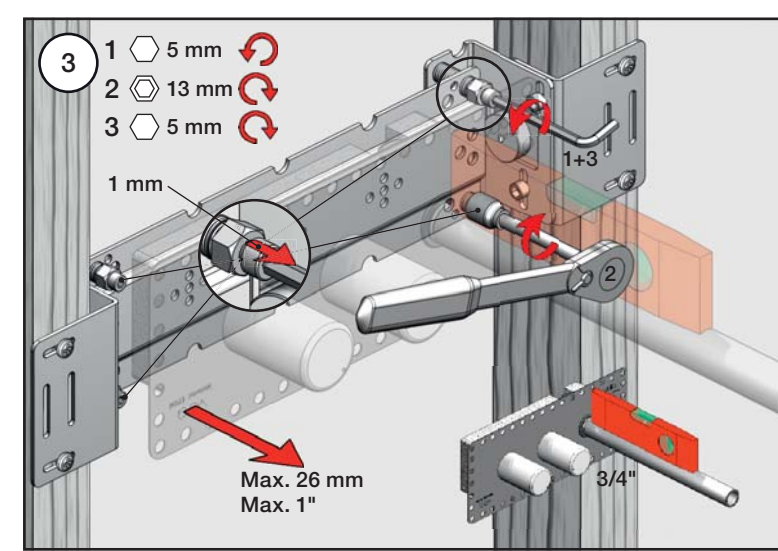
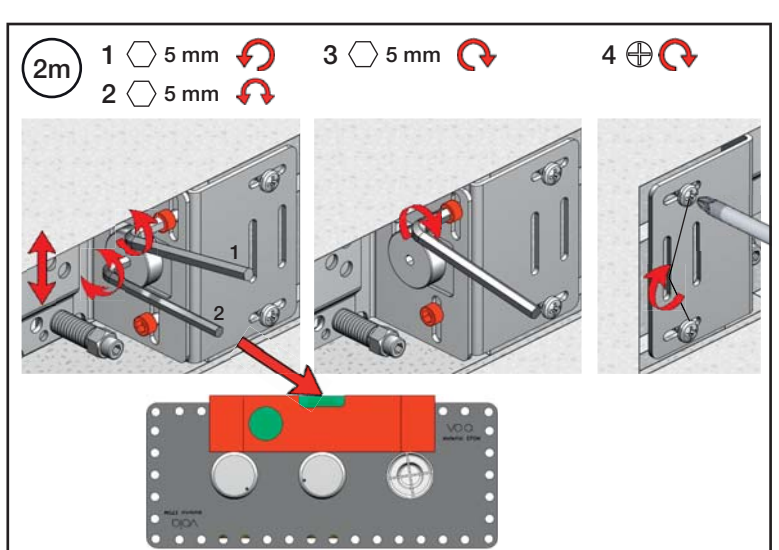
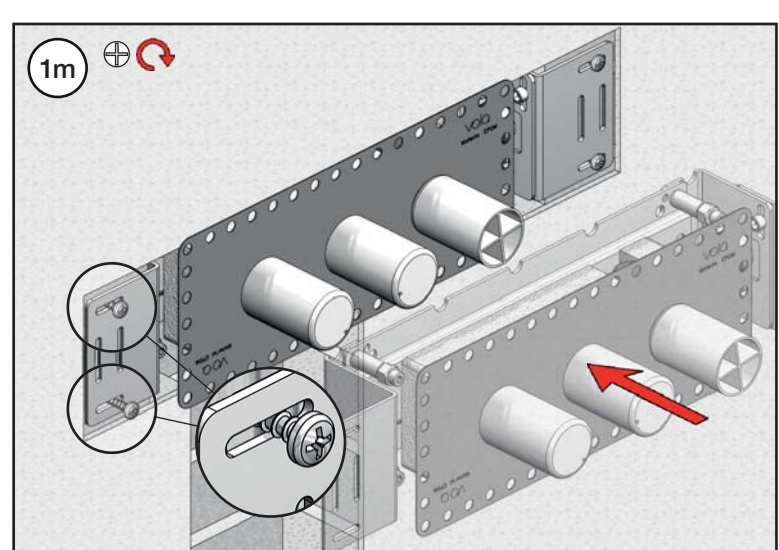
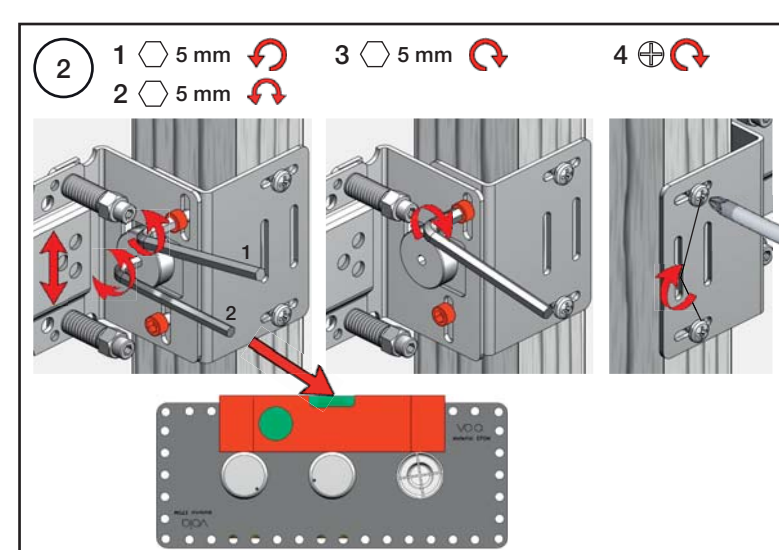
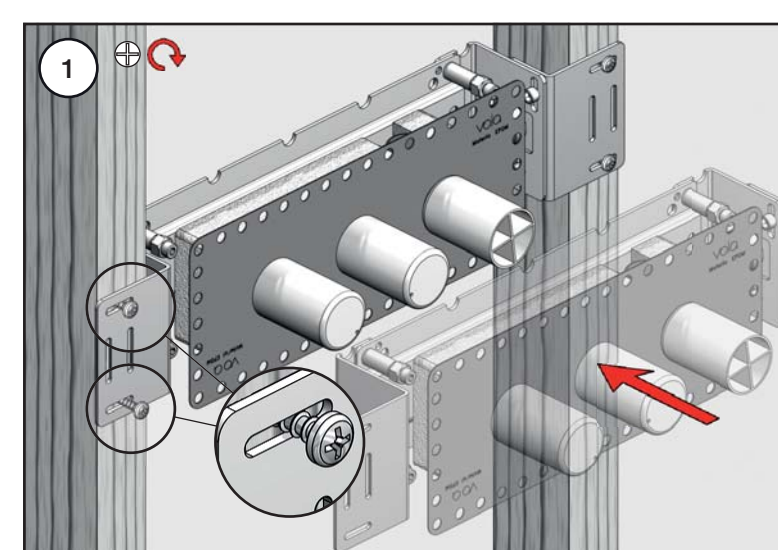
700: 700V + 200M  
 800: 800V + 2 x 200M  
 800N: 800NV + 200M  
 800T: 800TV + 200M

	L	L1	L2	L3	H	H1	H2	H3
A	295 mm 11 1/2"	160 mm 6 1/2"	145 mm 5 3/4"	-	95 mm 3 3/4"	103 mm 4"	-	-
B	395 mm 15 1/2"	260 mm 10"	156 mm 6 1/8"	-			-	-
C	490 mm 19 1/2"	355 mm 14"	166 mm 6 1/2"	78 mm 3 1/16"			-	-
D	570 mm 23"	435 mm 17"	-	-			122 mm 4 3/4"	113 mm 4 1/2"



600-1500\_V2 40999852

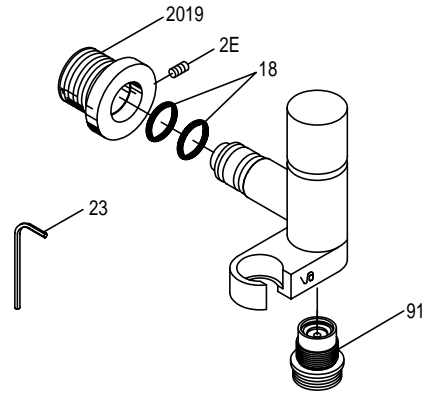
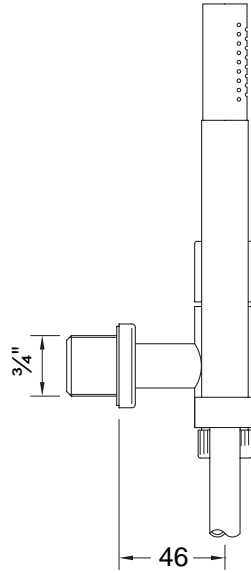
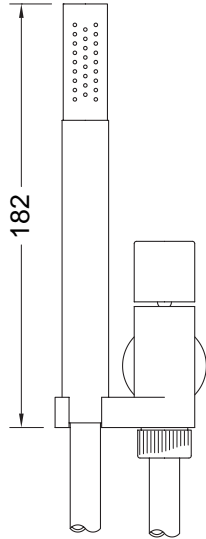






# Vola 070

# Vola 070



**AUSTRALIA**

dedece  
263 Liverpool Street  
Darlinghurst  
NSW 2010 Sydney  
Tel: 2 9360 2722  
Fax: 2 9356 4042  
dedece@dedece.com  
www.dedece.com

**BELGIË**

VOLA bvba  
Valkenburgerstraat 23  
1011 MG Amsterdam  
Tel: 03 440 46 19  
Fax: 03 448 22 04  
sales@vola.be  
www.vola.be

**CANADA**

Ginger's Bath  
95 Ronald Ave.  
Toronto, Ontario  
M6B 4L9  
Tel: 416-787-1787  
Fax: 416-787-1748  
gingers@gingersbath.com  
www.elte.com

**CHINA**

Badeluxe Trading Limited  
Unit D4, Basement 3  
COFOO Plaza  
No. 8 Jian Guo Men Nei Avenue  
Dong Cheng District  
Beijing 100005 China  
Tel: (86) 010 6526 1363  
Fax: (86) 010 6526 1373  
info@badeluxe.com

**DANMARK**

VOLA A/S  
Lunavej 2  
8700 Horsens  
Tel: + 45 70 23 55 00  
Fax: + 45 70 23 55 11  
sales@vola.dk  
www.vola.dk

**DEUTSCHLAND**

VOLA GmbH  
Schwanthaler Straße 75A  
80336 München  
Tel: 089/599959-0  
Fax: 089/599959-90  
vola@vola.de  
www.vola.de

**ESPAÑA**

ARTQUITECT  
C/ Dolors Granés, 79  
08440 Cardedeu  
Barcelona  
Tel: 93 844 40 70  
Fax: 93 844 40 71  
info@artquitect.net  
www.artquitect.net

**ESTONIA**

Hals Interiors OÜ  
Kadaka tee 42H  
12915 Tallinn  
Tel: 71 514 10  
Fax: 71 514 11  
hals@hals.ee  
www.hals.ee

**FRANCE**

sopha industries  
44, rue Blanche  
75009 Paris  
Tel: 01 42 81 25 85  
Fax: 01 40 16 45 18  
sopha@sopha.fr  
www.sopha.fr

**GREAT BRITAIN**

VOLA UK Ltd.  
Unit 12, Ampthill Business Park  
Station Road, Ampthill  
Bedfordshire MK45 2QW  
Tel: 01525 84 11 55  
Fax: 01525 84 11 77  
sales@vola.co.uk  
www.vola.co.uk

**HELLAS**

moda bagno s.a.  
50 Anapafseos Street  
Vriliisia 15 235, Athens  
Tel: 210 8036700  
Fax: 210 8049408  
Fax: 210 8046987  
info@modabagno.gr  
www.modabagno.gr

**HONG KONG**

portfolio group limited  
G/F, 59 Elgin Street,  
Central, Hong Kong  
Tel: 28680765  
Fax: 25247887  
sales@pgjtd.com.hk

**H2O Pro Ltd.**

16/F First Commercial Building,  
33 Leighton Road  
Causeway Bay  
Tel: 852 2891 6860  
Fax: 852 2834 3029  
info@h2opro.com.hk  
www.ebon.com.hk

**ISLAND**

Tengi ehf.  
Smidjuvegur 76  
200 Kópavogur  
Tel: 414-1000  
Fax: 414-1001  
www.tengi.is

**ITALIA**

RAPSEL Spa  
Via Volta, 13  
20019 Settimo Milanese (MI)  
Tel: 02.33 55 981  
Fax: 02.33501306  
rapsel@rapsel.it  
www.rapsel.it

**KOREA**

E.L. System Co. Ltd.  
Jaemyoung B/D  
893-12  
Bangbae 1dong  
Secho-Gu  
Seoul  
Tel: 82-2-598-4517  
Fax: 82-2-521-3786

**KYPRIAKI DIMOKRATIA**

S.C. Nicolaidis Ltd.  
3, Gregoriou Karekla str.  
Strovolos  
P.O. Box 21703  
1512 Nicosia  
Tel: 22 813 200  
Fax: 22 424 803  
info@oikia.com.cy

**LATVIA**

Hals Trading ltd.  
Antenas str. 3  
1004, Riga  
Tel: 7629561  
Fax: 7627190  
info@halstrading.lv  
www.hals.ee

**LEBANON**

Geahchan Group  
Sin El Fil  
Geahchan Building  
Hayek Round About  
Beirut  
Tel: 01. 480 520  
Fax: 01. 496 607  
info@geahchangroup.com  
www.geahchangroup.com

**MEXICO**

Productos de Latón  
de Alta Calidad S.A. de C.V.  
México, D.F.  
Tel: 01800 2253946  
Fax: 01(55) 2614 9312  
placsadecv@hotmail.com  
www.gzdisi.biz/vola/vola.html

**NEDERLAND**

VOLA Sanitair BV  
Valkenburgerstraat 23  
1011 MG Amsterdam  
Tel: 020 36 56 356  
Fax: 020 36 56 482  
info.nl@vola.com  
www.vola.com

**NIPPON**

Cera Trading Co.,Ltd  
Juko BLDG.6F,  
1-26-1 Minami-Aoyama,  
Minato-ku,  
Tokyo 107-0062  
Tel: 03-3796-6151  
Fax: 03-3402-7185  
cera@mb.toto.co.jp  
www.cera.co.jp

**Fuji Design Corporation**

3 -15 -14 Higashi-Ikebukuro  
Toshima-Ku  
Tokyo 170- 0013  
Tel: 03-3983-2251  
Fax: 03-3988-8320  
inf@fujid.com  
www.fujid.com

**NORGE**

shelby teknikk as  
Strandgaten 55  
4370 Egersund  
Tel: 51 46 18 00  
Fax: 51 46 18 01  
post@shelby.no  
www.shelby.no

**ÖSTERREICH**

VOLA Vertriebs GmbH  
Kandlgasse 19  
1070 Wien  
Tel: 01/526 39 71-0  
Fax: 01/526 39 71-20  
info@vola.at  
www.vola.at

**RUSSIA**

Tendenza  
UL. Solyanka 1/2-1  
109028 Moscow  
Tel: 624-13-12  
Tel: 624-24-49  
Fax: 624-10-50  
www.tendenza.ru  
info@tendenza.ru

**PORTUGAL**

CARVALHO, BATISTA & Ca, Sa.  
Rua do Almada  
29-79-89 - Apartado 4784  
4013-001 Porto  
Tel: 22 339 21 26 / 7 / 9  
Fax: 22 205 96 11  
carvalhobatista@mail.telepac.pt  
www.carvalhobatista.pt

**SCHWEIZ**

VOLA AG  
Mülstr. 18  
8320 Fehraltorf  
Tel: 044/955 18 18  
Fax: 044/955 18 19  
sales@vola.ch  
www.vola.ch

**SLOVENIJA**

MODERNA d.o.o.  
Peričeva 31  
1000 Ljubljana  
Tel: + 386 4 058 95 93  
Tel: + 386 1 236 21 83  
Fax: + 386 1 236 21 84  
info@moderna.si  
www.moderna.si

**SUOMI**

INNO-TUOTE OY  
Main office and production  
TÄHDENLENNONTIE 9  
02240 ESPOO  
Tel: (0) 9 8870 380  
Fax: (0) 9 8870 3833  
info@innointerior.fi  
www.inno.fi

**SOUTH AFRICA**

Still the bathroom gallery  
Unit 111A, The Foundry  
74 Prestwich Str.  
Green Point Cape Town  
South Africa 8001  
Tel: 021 421 9970/2  
Fax: 021 421 9971  
info@stillbathrooms.co.za  
www.stillbathrooms.co.za

**SVERIGE**

VOLA ab  
Ruddammgatan 14, 2  
S-803 20 Gävle  
Tel: 026-140230  
Fax: 026-140231  
sales@vola.se  
www.vola.se

**UNITED ARAB EMIRATES**

Sanipex LLC  
Sheik Zayed Road  
P.O. Box 30871  
Dubai  
Tel. 971 4 339 5660  
Fax 971 4 339 5671  
www.sanipexdubai.com

**UNITED STATES**

Hastings Tile and Bath Collection  
30 Commercial Street  
Freeport, NY 11520  
Tel: 516-379-3500  
Tel: 800-351-0038  
Fax: 516-223-8495  
vola@hastings30.com  
www.hastings30.com

**VOLA 080**

VOLA A/S • Lunavej 2 • DK-8700 Horsens • Tel. +45 70 23 55 00  
Fax +45 70 23 55 11 • sales@vola.dk • www.vola.com

vola

