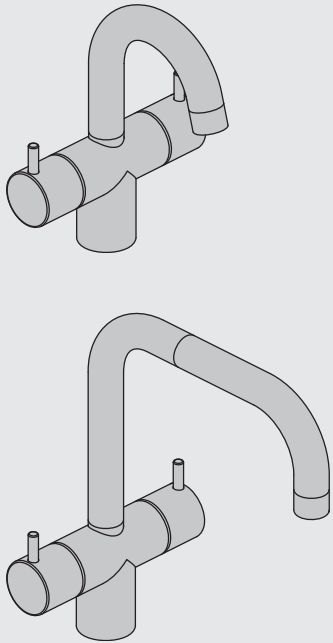
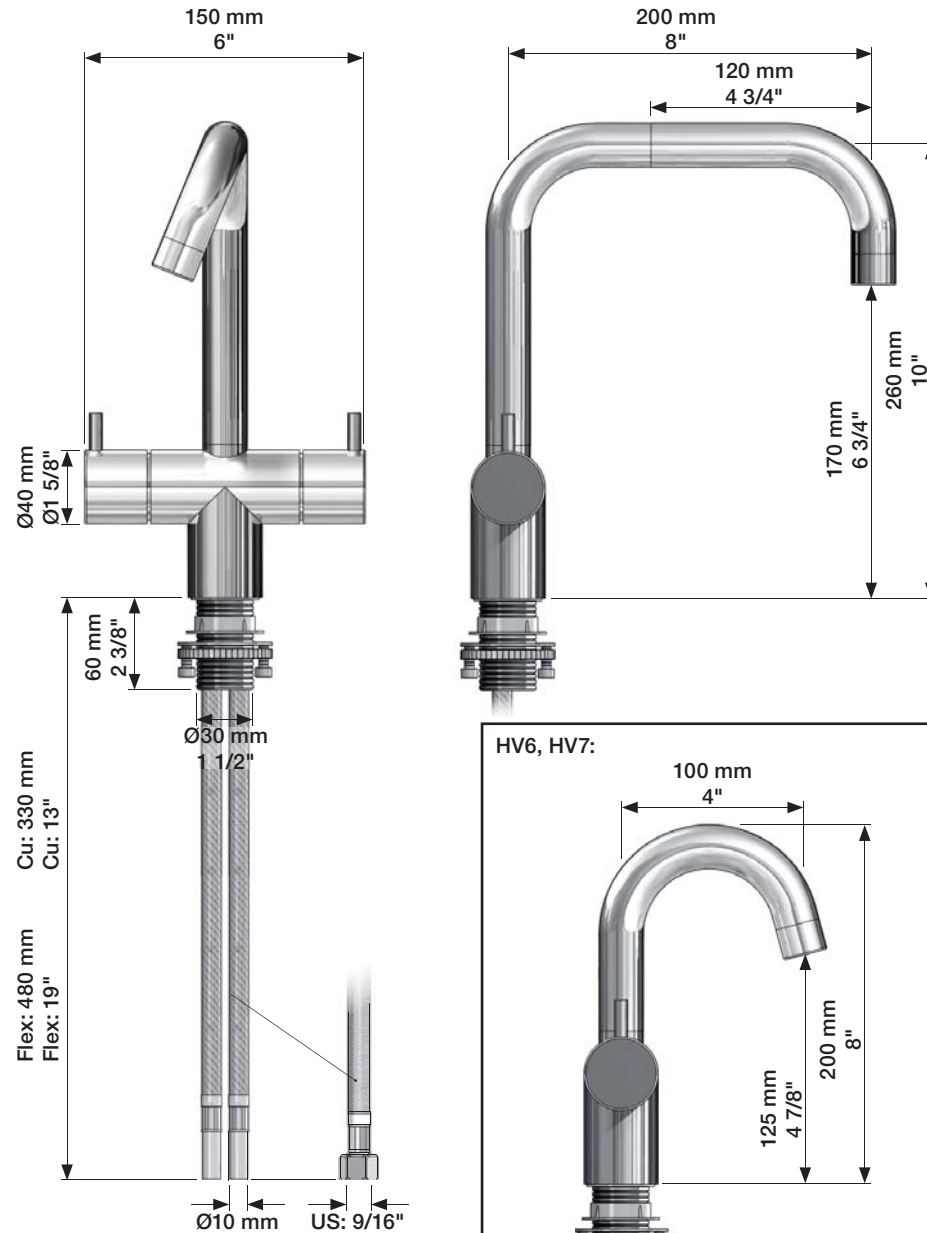


VOLA HV6, HV7  
VOLA KV6, KV7

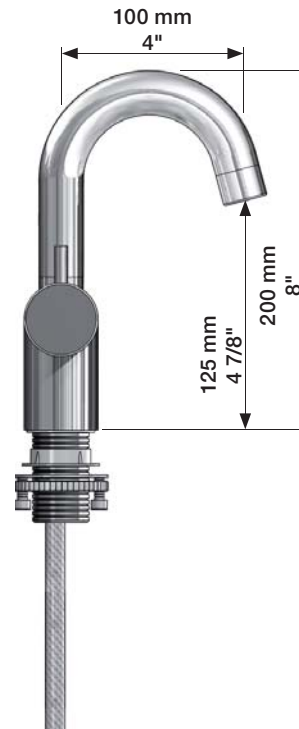
Fitting instruction  
Montageanleitung  
Monteringsvejledning  
Monteringsvægledning  
Montage hanleiding  
Manuel de montage



KV6, KV7:



HV6, HV7:



**Data, 3 Bar** (Min. 0,5 - Max. 8 Bar):

Max.	l/min.	Gal/min.
HV6/7:	9,0	2,0
KV6/7	9,0	2,0

Max. 70°C, 158°F

