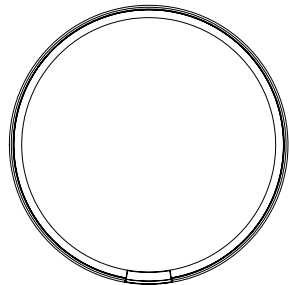




© Roper Rhodes Ltd.

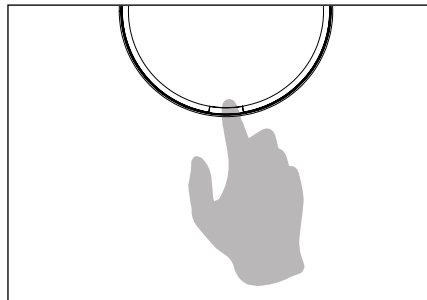


Loop
Magnifying Ring Light Mirror

Turn Mirror ON/OFF

To turn the device on/off, tap the button.

The device also has an auto-on feature that will cause the ring light to turn on when the mirror is removed from charging.



After care service

Cleaning your product

When cleaning the mirror, use a dust-free, microfibre or lint-free cloth with the mirror turned off. Do not use cleaning agents or abrasive materials. For stubborn stains, a damp cloth can be used.

The product has been tested to IP55 standards, so is resistant to water splashes. Do not allow the product to be submerged.

Troubleshooting & After care service

For any further assistance, please feel free to contact our tech support team at: techsupport@roperrhodes.co.uk

Roper Rhodes Ltd reserves the right to amend the specification of its products at any time if an opportunity to improve the product occurs.

Compliance

This product complies with all relevant British and European safety standards.

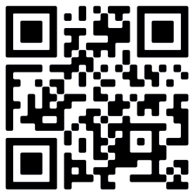


GUARANTEE

Disassembly of the product will void warranty.
Contact customer support if any problems with the product occur.

Ensure correct disposal at the end of its life.

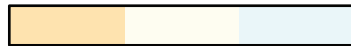
To find the product FAQs, please scan the QR code below:



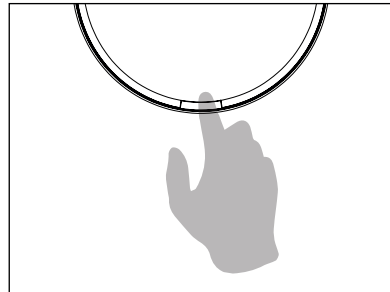
Colour Changing

Press and hold the button to change the colour.

To switch between colour change and dimming mode, quickly double tap the button.



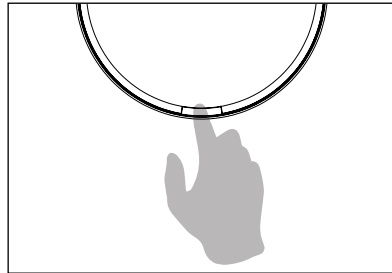
Warm White → Natural White → Daylight White



Brightness Control

Press and hold the button to dim or brighten the ring light.

To switch between dimming and colour change, quickly double tap the button.



WARNINGS

Contains strong magnets.

Keep away from pacemakers and other medical devices affected by magnets.

Do not place on steel or iron surfaces.

Keep out of reach of children.

Contains a lithium polymer battery.

Do not leave in direct sunlight.

Product contains glass - take care when handling.

Only charge product using supplied charging pads.

Keep away from jewellery.

Keep away from electronics.

Only use with compatible products.

Do not get the charging stand wet.

Do not allow the Loop mirror to fully drain of power for long periods of time.

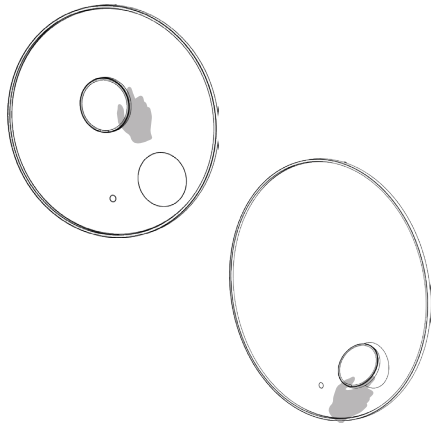
The battery can be replaced.

Loop Wall Mirror Compatability

The device can be used with the compatible Loop Wall Mirror and can be placed anywhere on the mirror surface.

Position the device to best suit your routine by placing it at any height on the Loop Wall Mirror.

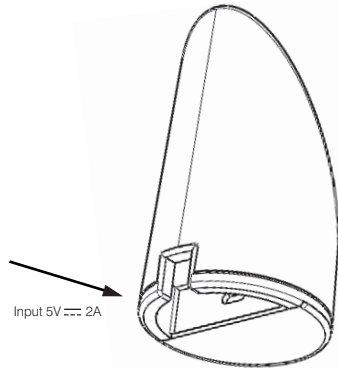
To take the device off the Loop Wall Mirror, gently tilt the bottom of the device away from the Loop Wall Mirror.



To connect the charging stand to power

The charger comes with an USB-C cable that can be plugged into any USB-C socket and is compatible with Roper Rhodes® cabinet USB-C charging ports.

Plug the USB C cable into the socket located on the underside of the charging station. The cable can be placed through the gap at the back of the charging stand and plugged into a USB-C socket.



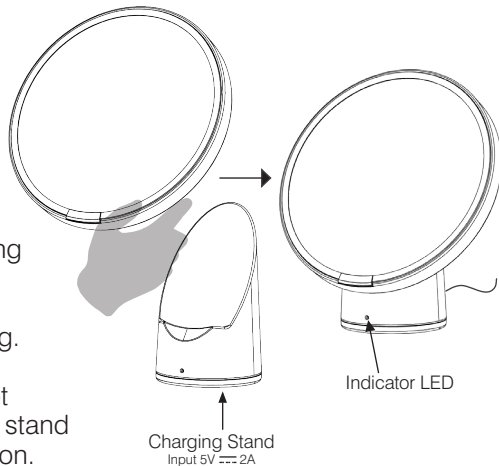
Charging the Device

The device will start to flash to indicate that it needs to be charged.

To charge the device, place onto the charging stand. The LED on the stand will become red for 10s to indicate that a charging connection has been made.

A solid red light means the device is charging.

A flashing red light indicates the device is not charging and needs to be removed from the stand and replaced to make the charging connection.



Loop Wall Mirror Wireless Charging

Place the device on the Loop Wall Mirror within the indicated ring.

A red LED located within the ring will illuminate for 10 seconds to indicate the device is charging.

A flashing red light indicates the device is not charging. Please remove device from mirror and put it back to make the charging connection.

The device must sit within the ring for optimal charging.

