

Customer Services, Brassmill Lane Trading Estate, Bath BA1 3JF.  
Tel 01225 303900

## LOOP

LED Illuminated Mirror  
Installation & Aftercare Instructions

Retain for future reference

## Electrical Safety

Suitable for UK Installations only.

All fittings must be installed by a competent person, in accordance with current IEE wiring regulations. If in doubt consult a qualified electrician.

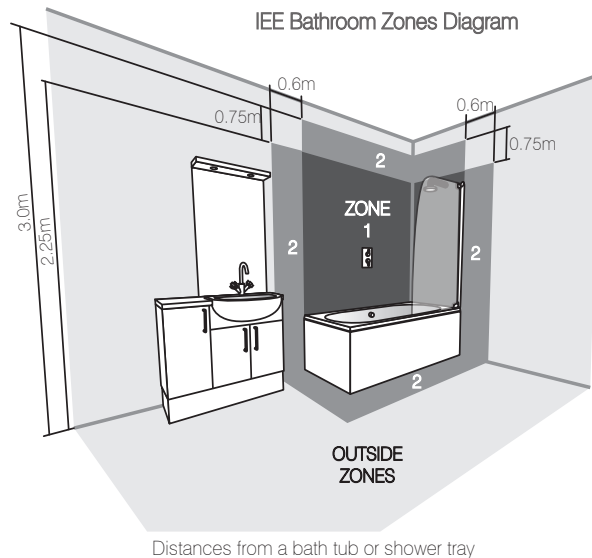
Important: Always switch off the electrical supply at the mains before installation and maintenance. It is recommended that the fuse is withdrawn or the circuit breaker is switched off for the necessary circuit before installation commences.

This product is manufactured to class I category and must have an earth connection.

### WIRING DIAGRAM - MAINS SUPPLY



## Bathroom Zones



Bathroom fittings are subject to the appropriate zones in accordance with IEE Regulations. This product is only suitable for permanent indoor installation in Zone 2 and outside zones. (See above) This product is not suitable for installation in Zone 0 or 1, saunas, steam rooms or shower cubicles. Do not connect to a trailing plug and socket. Do not install onto surfaces that are either damp or electrically conductive.

## After Care Service

Cleaning your product

When cleaning the mirror or any mirrored surfaces it is recommended to use a soft, dry, non abrasive cloth with the mirror turned off. Do not use cleaning agents or abrasive materials.

Do not allow moisture to come into contact with any electrical components.

Troubleshooting & After care service

For any further assistance, please contact our tech support team at: 01225 303900

We reserve the right to amend the specification of its products at any time if an opportunity to improve the product occurs. All dimensions are approximate and are quoted within reasonable tolerances.

Compliance

This product complies with all relevant British and European safety standards. This product contains light source(s) of energy class F (EU) 2019/2020 and (EU) 2019/2015



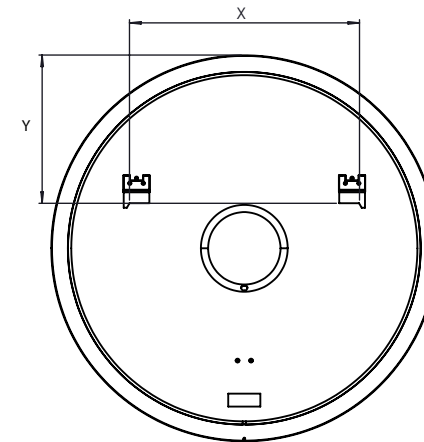
## Installation Procedure

Important: Before starting the installation process, make sure the electrical supply is switched off. It is recommended that the fuse is withdrawn or the circuit breaker is switched off for the necessary circuit.

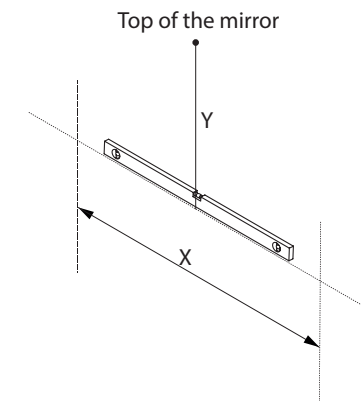
Important: Before starting the installation process, ensure the wall construction is suitable and can support the weight of the mirror.

Note: The wall plugs supplied are suitable for solid stone / brick walls. For any other wall material use specialist wall plugs.

- 1) Measure the distance (X) between the wall fixing brackets on the back of the mirror.
- 2) Measure the distance (Y) between the top of the mirror and the bottom of the wall fixing bracket.



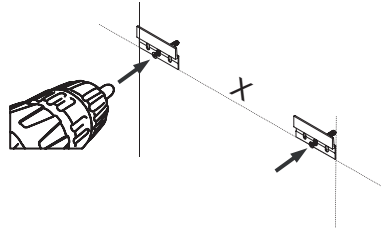
- 3) Using a spirit level and a pencil, draw a horizontal line (X) mm long parallel with the floor at (Y) mm distance down from the desired height for the top of the mirror.



## Installation Procedure

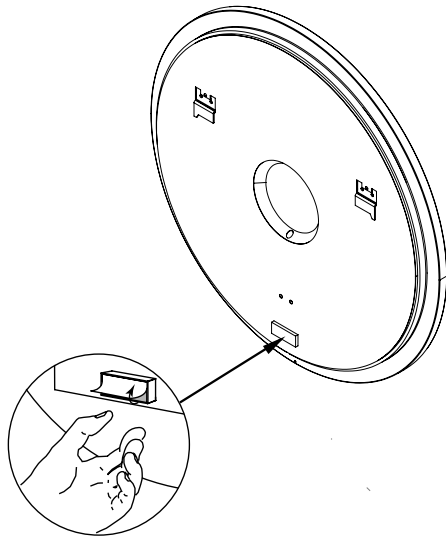
4) Align the outer edge of the wall brackets within the lines as shown below and mark the hole positions with a pencil, drill and fit the wall plugs.

5) Secure the wall mounting plates in position with the screws.



6) Make the electrical connection from the mirror to the mains supply. Use the connection wire found at the rear of the mirror to make the necessary connections in accordance with the current IEE regulations. A second person will need to hold the mirror in place whilst electrical connections are made.

7) To secure the mirror and prevent the mirror being accidentally pulled away from the wall. Peel off the protective paper for the velcro strip at the back of the mirror.



NOTE: To secure the mirror further, a small amount of silicone sealant can be applied to the back of the mirror.

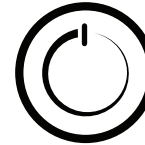
8) The mirror should slide onto the wall mounting brackets and then be pushed (where the sensor artwork is) against the wall to secure into place.

9) To remove the mirror, the mirror should first be lifted and then pulled away from the wall.

## Operating Instructions

The mirror comes with LED lighting and a heated demister pad which are controlled via three touch sensor buttons located on the front face of the product.

The lighting and steam free-function can be controlled using the button functions detailed below:



Short touch (<1s)  
Light ON/OFF

Note: The demister pad will also turn ON/OFF.

Long touch (>1s)  
Dimming from 5%~100%

Note: The brightness will be memorised.



Short touch (<1s)  
CCT  
(Warm White, Natural White, Cold White)

Long touch (>1s)  
CCT scroll from Cold White to Warm White.

Note: The colour will be memorised.



Short touch (<1s)  
Steam-Free ON/OFF

Turn OFF automatically after 60 minutes.

The handheld magnifying vanity mirror (VM03) included with Loop mirror can be charged on the mirror surface. This can be done following the steps below:

1) Place the VM in the frosted ring on the lower right side of the Loop mirror.

2) A red LED located within the ring will illuminate for 10 seconds to indicate the vanity mirror is charging.

Note: A flashing red light indicates the device is not charging. Please remove device from mirror and put it back to make the charging connection.

3) To take the vanity mirror off the Loop mirror, gently tilt the bottom of the VM to angle it slightly and pull it off.

