

Toilet seat Antheus

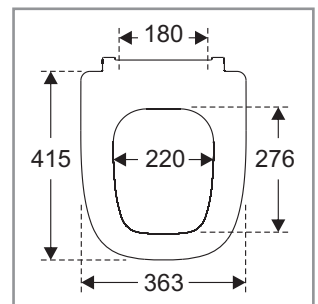
Model

8M18S1 Antheus toilet seat with Softclosing and Quickrelease,
incl. 9221 89 61 hinges

Product Description

Antheus toilet seat in Wrap-Over-Design made of colour ingrained duroplast:

- incl. hinges stainless steel
- centre distance: 180 mm
- load of ring seat: 240 kg
- 10 year guarantee



Colour Programme

R1 white alpin
R2 Star white
RW Stone white

Hinge Finish

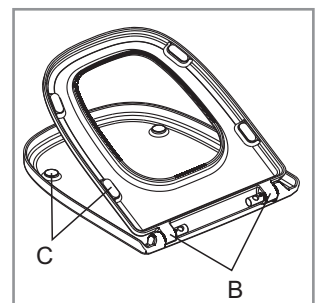
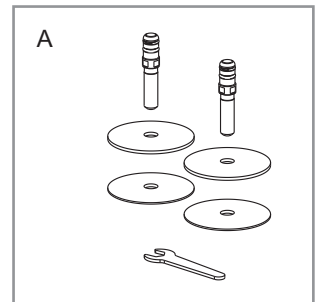
Stainless steel

Spare Parts

- A) 9221 89 61 hinges stainless steel
- B) 9221 91 00 Softclosing damper packet
- C) 9221 86 00 Buffers for seat and cover

Cleaning Instructions

Use a mild soap solution. Seat and hinge should not be left damp, but be dried with a soft cloth. When using abrasive, corrosive or chlorine based cleaners for the bowl, avoid contact with seat and hinge as it may lead to damages or flash rust. Therefore, when cleaning the bowl, make sure that seat and cover are in an upright position until all the cleaner has been flushed away.

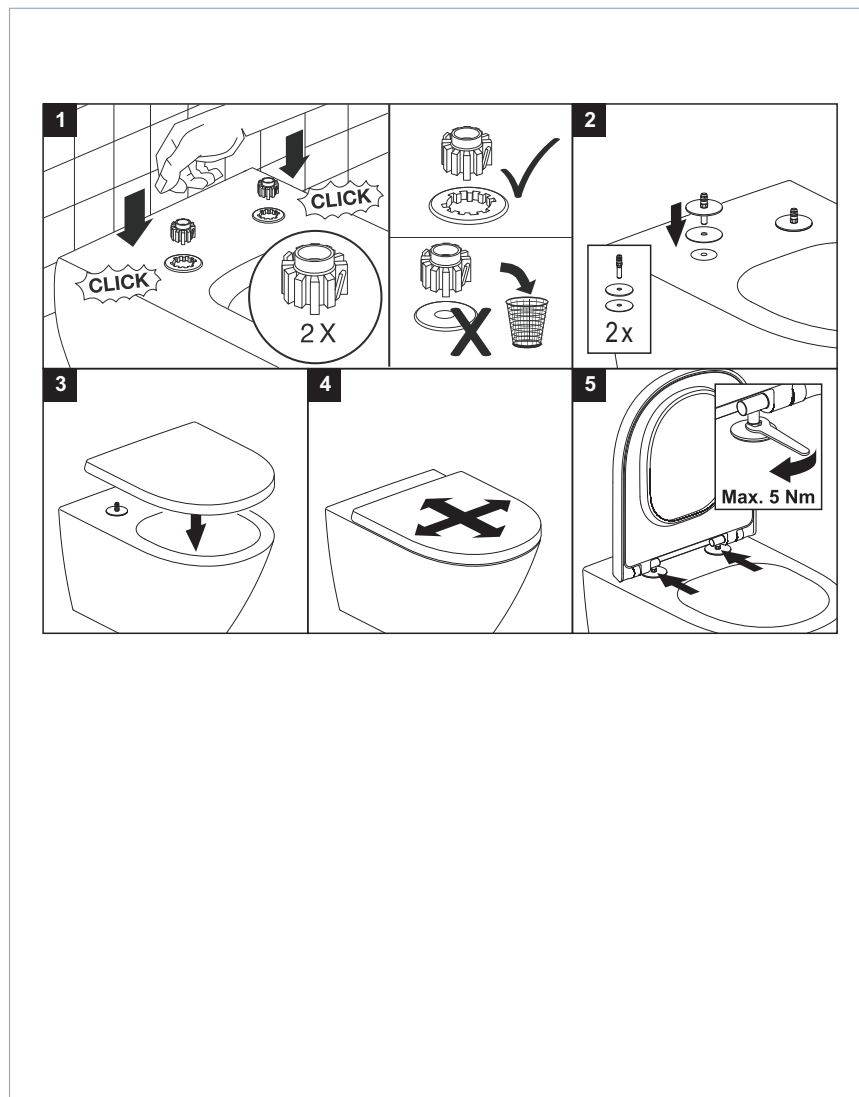


Villeroy & Boch

1748

Toilet seat Antheus

Instruction manual



Material Description

TOILET SEAT: The material is colour ingrained duroplast (UF A 10 = urea formaldehyde) that contains no environmentally hazardous substances. UF plastic comprises 67 % urea formaldehyde resin, 28 % cellulose, as well as 5 % minerals, pigments, lubricants and moisture content. The raw material from the supplier contains less than 0,03 % formaldehyde after a special curing process.

BUFFERS: TPE (Thermoplastic Elastomer)

MOUNT/HINGE: stainless steel

Guarantee

The guarantee includes faults or defects in the material of our products within a periode of 10 years. Products subject to minor technical modifications and design deviations. Errors and omissions excepted.