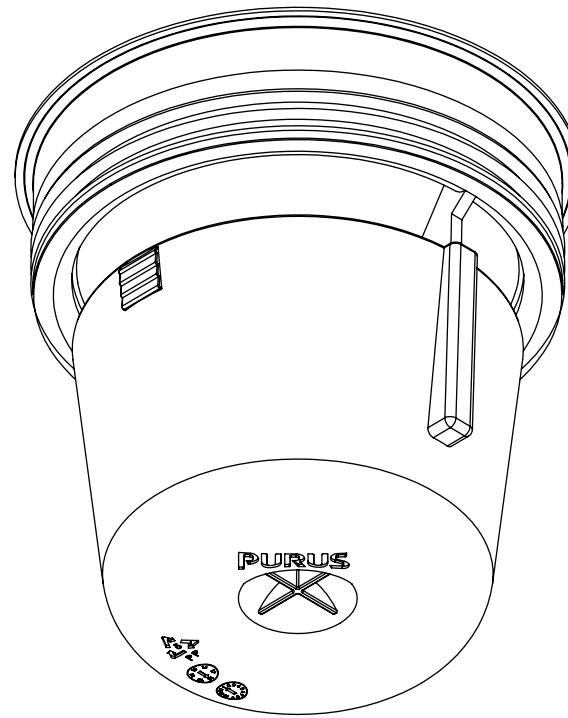
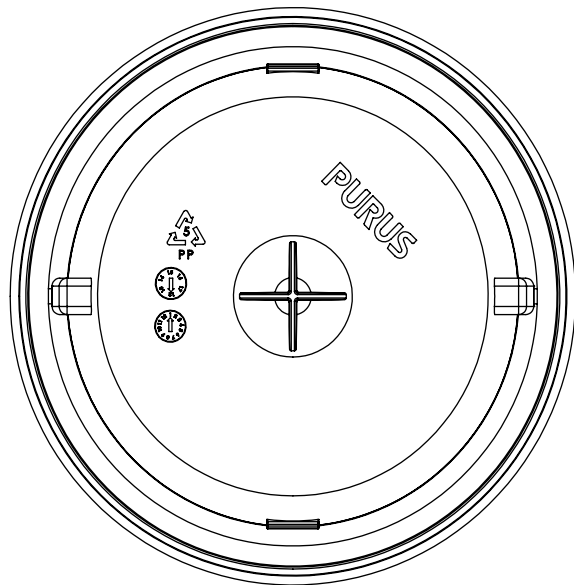
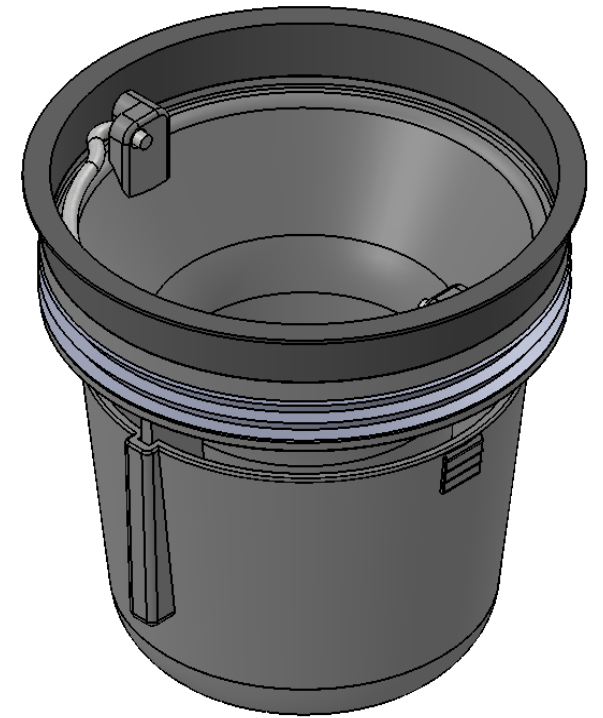


SECTION A-A
SCALE 1:1



Annotation	-	A4	This drawing replace	-	Replaced by	-	Date	-	
Scale	1:2	Page	1(1)	General tolerance: ISO 2768-1	Weight (gram)	-	Volume (cm3)	Approved by	Date
Material	Plast		Surface treatment	-	Designer	GUF	Created date	2015	
Name	FlexOne			Article no	153453-416		Edition	1	
PURUS PURUS A/S Farum Gydevej 71 DK-3520 Farum, Danmark Tlf. +45 4616 1919 Fax. +45 4616 1910 WWW.purus.dk									